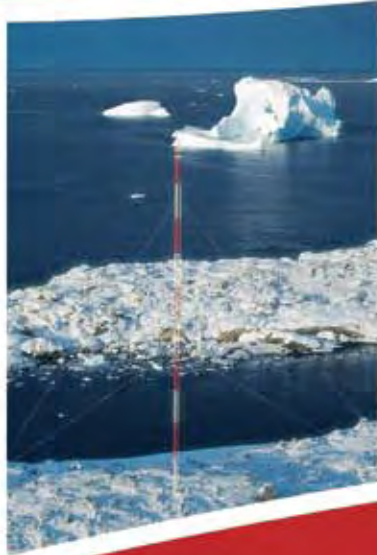


GUYED TOWERS





STANDARD 65G GUYED TOWER

ROHN 65G
The first. The original.



65G



GENERAL USE

The 65G is designed to provide excellent rigidity and strength in applications up to 500'. This high strength design covers a wide variety of communication uses. The 65G is completely pre-fabricated in welded sections, allowing for quick and convenient installation.

FEATURES

- Completely hot-dip galvanized after fabrication
- Built on a 24 1/4" equilateral triangle design
- High strength tubular legs joined by Zig-Zag® cross members
- Each section contains all required nuts and bolts shipped with section
- Continuous solid round steel bracing

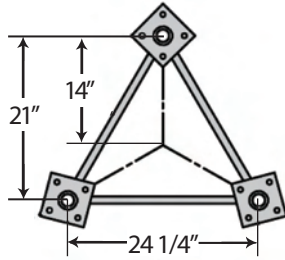
CAUTION

Mixing copies of ROHN towers with ROHN towers is dangerous and voids all engineering and warranty data supplied by ROHN. Materials used by others are not the same quality and have not been tested or engineered by ROHN. Mixing ROHN tower sections with non-ROHN products may cause tower failure or injury.

Per Rev G requirements, any structure greater than 10' requires a climber safety device. Please see page 142 for ordering information.

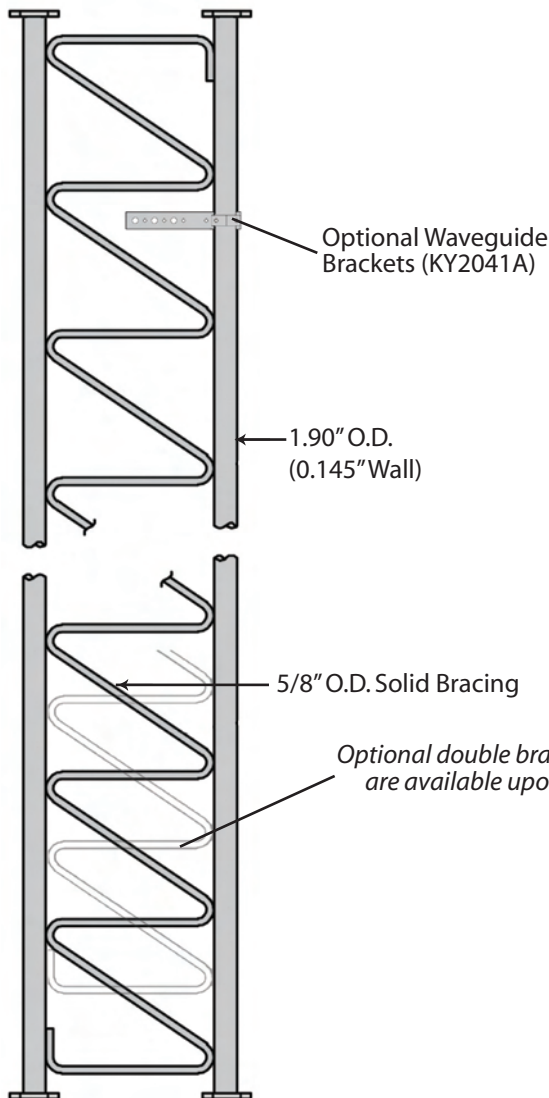


STANDARD 65G GUYED TOWER SECTIONS

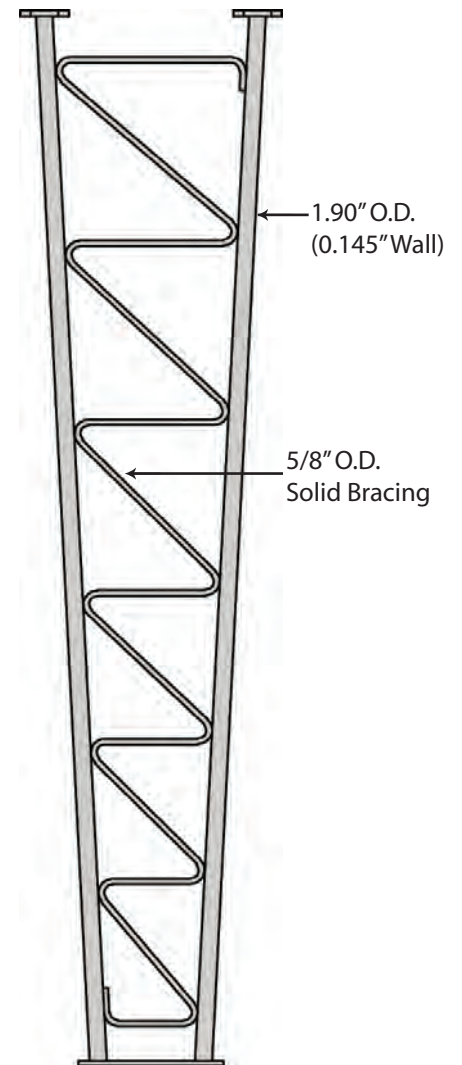


QUICK REFERENCE

PARTS & ACCESSORIES	PAGES 141-142
GROUNDING INFORMATION	PAGE 143
FOUNDATION INFORMATION	PAGES 143-146



STANDARD SECTION
65G - 10' Section
6520G - 20' Section

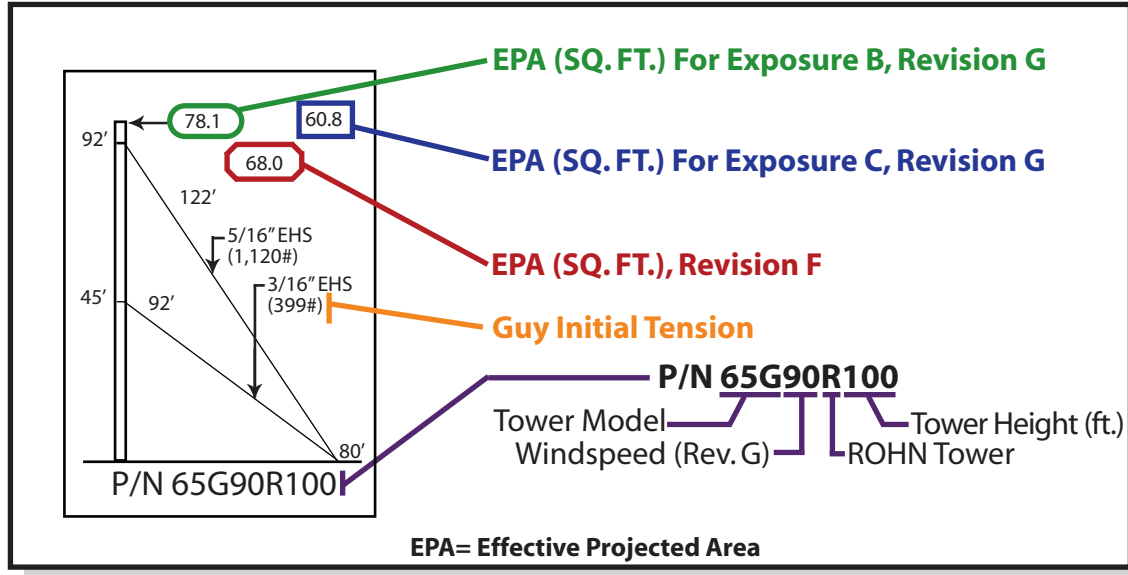


TAPERED BASE
65TGH - 10' Section



BUYERS GUIDE
STANDARD DESIGNS - 65G
90MPH REV. G [3 SECOND GUST]
70MPH REV. F [FASTEST MILE]

Design Criteria



This document is to serve as a guide for sizing and purchasing the 65G tower. Tower and foundation installations should be performed by qualified and experienced personnel using assembly drawings provided with each tower.

DESIGN NOTES:

- 1. Tower designs are in accordance with ANSI/TIA-222-F and ANSI/TIA-222-G, Class I Structures, Topographic Category 1.
2. Design assumes towers are installed on level ground. Lower EPA values will apply for roof mounted towers or for sites located on unusual terrain.
3. Designs assume two 7/8" diameter lines on each tower face.
4. Anchor radius is from tower base to intersection of anchor rod with ground.
5. Guy chord lengths shown are based on level ground. Initial tensions for guys are shown in () in pounds at 60° Fahrenheit.
6. Antenna and mounts are assumed symmetrically placed at the tower top.

PARTS LIST NOTES:

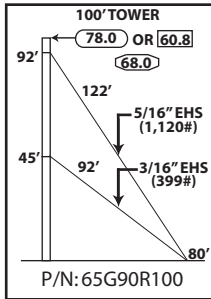
- 1. Items listed are required for complete guyed towers.
2. Base and anchor foundations listed refer to standard foundation designations.
3. Guys provided with each standard tower are based on level ground conditions with an additional 6% length.
4. Rev G anchor grounding (AGK1GGX) and base grounding (BGK2GGX) are included with the tower material.
5. Assembly drawings and a safety package (P/N: ACWS) are included with each tower.
6. Parts lists are subject to change based on availability or revised design criteria.

FOR FOUNDATION INFORMATION, PLEASE SEE PAGES 143-146.
FOR GENERAL INSTALLATION INFORMATION, PLEASE SEE PAGES 147-153.



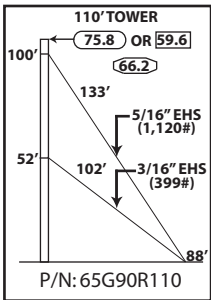
STANDARD DESIGN - 65G

90 MPH REV. G, 70MPH REV. F



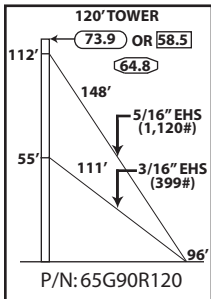
TOWER PARTS INCLUDED	65G	65TGH	6520G	GA65GD	APL4HA	FDNS		
	1	1	4	2	1	BASE	ANCHOR	
GUYS & CONNECTIONS INCLUDED	142265	3/16EHS	BG2142	BG2146	5/16THH	7/16THH	5/8TBE&J	1/2TBE&J
	400'	300'	6	6	6	6	3	3
ANCHORS & GROUNDING INCLUDED	GAC3455TOP	AGK1GGX	BGK2GGX	CPC.5/.75	TBSAFETY	15/16x16PP		
	3	1	3	3	3	1		

100' ROHN 65G
All parts shown in table are included when ordering
Part No: 65G90R100



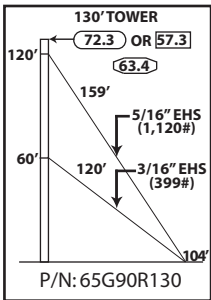
TOWER PARTS INCLUDED	65TGH	6520G	APL4HA	GA65GD	FDNS			
	1	5	1	2	BASE	ANCHOR		
GUYS & CONNECTIONS INCLUDED	142265	3/16EHS	BG2142	BG2146	5/16THH	7/16THH	5/8TBE&J	1/2TBE&J
	425'	325'	6	6	6	6	3	3
ANCHORS & GROUNDING INCLUDED	GAC3455TOP	AGK1GGX	BGK2GGX	CPC.5/.75	TBSAFETY	15/16x16PP		
	3	1	3	3	3	1		

110' ROHN 65G
All parts shown in table are included when ordering
Part No: 65G90R110



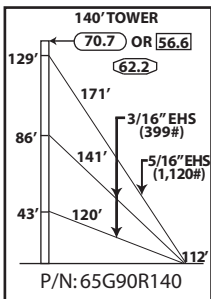
TOWER PARTS INCLUDED	65G	65TGH	6520G	GA65GD	APL4HA	FDNS		
	1	1	5	2	1	BASE	ANCHOR	
GUYS & CONNECTIONS INCLUDED	142265	3/16EHS	BG2142	BG2146	5/16THH	7/16THH	5/8TBE&J	1/2TBE&J
	475'	375'	6	6	6	6	3	3
ANCHORS & GROUNDING INCLUDED	GAC3455TOP	AGK1GGX	BGK2GGX	CPC.5/.75	TBSAFETY	15/16x16PP		
	3	1	3	3	3	1		

120' ROHN 65G
All parts shown in table are included when ordering
Part No: 65G90R120



TOWER PARTS INCLUDED	65TGH	6520G	GA65GD	APL4HA	FDNS			
	1	6	2	1	BASE	ANCHOR		
GUYS & CONNECTIONS INCLUDED	142265	3/16EHS	BG2142	BG2146	5/16THH	7/16THH	5/8TBE&J	1/2TBE&J
	525'	400'	6	6	6	6	3	3
ANCHORS & GROUNDING INCLUDED	GAC3455TOP	AGK1GGX	BGK2GGX	CPC.5/.75	TBSAFETY	15/16x16PP		
	3	1	3	3	3	1		

130' ROHN 65G
All parts shown in table are included when ordering
Part No: 65G90R130

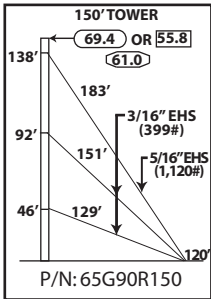


TOWER PARTS INCLUDED	65G	65TGH	6520G	APL4HA	GA65GD	FDNS		
	1	1	6	1	3	BASE	ANCHOR	
GUYS & CONNECTIONS INCLUDED	142265	3/16EHS	BG2142	BG2146	5/16THH	7/16THH	5/8TBE&J	1/2TBE&J
	550'	850'	12	6	12	6	3	6
ANCHORS & GROUNDING INCLUDED	GAC3455TOP	AGK1GGX	BGK2GGX	CPC.5/.75	TBSAFETY	15/16x16PP		
	3	1	3	3	3	1		

140' ROHN 65G
All parts shown in table are included when ordering
Part No: 65G90R140

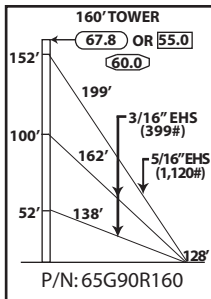


STANDARD DESIGN - 65G
90MPH REV. G, 70MPH REV. F



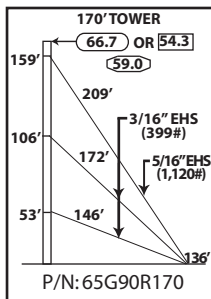
TOWER PARTS INCLUDED	65TGH	6520G	APL4HA	GA65GD	FDNS			
					BASE	ANCHOR		
	1	7	1	3	CB2G	AB2		
GUYS & CONNECTIONS INCLUDED	142265	3/16EHS	BG2142	BG2146	5/16THH	7/16THH	5/8TBE&J	1/2TBE&J
	600'	900'	12	6	12	6	3	6
ANCHORS & GROUNDING INCLUDED	GAC3455TOP	AGK1GGX	BGK2GGX	CPC.5/1.75	TBSAFETY	15/16x16PP		
	3	1	3	3	3	1		

150' ROHN 65G
All parts shown in table are included when ordering Part No: 65G90R150



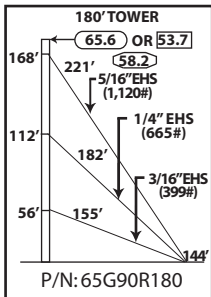
TOWER PARTS INCLUDED	65G	65TGH	6520G	APL4HA	GA65GD	FDNS	
						BASE	ANCHOR
	1	1	7	1	3	CB2G	AB3
GUYS & CONNECTIONS INCLUDED	142265	3/16EHS	BG2142	BG2146	5/16THH	7/16THH	5/8TBE&J
	650'	975'	12	6	12	6	9
ANCHORS & GROUNDING INCLUDED	GAC5655TOP	AGK1GGX	BGK2GGX	CPC1/1.25	TBSAFETY	15/16x16PP	
	3	1	3	3	3	1	

160' ROHN 65G
All parts shown in table are included when ordering Part No: 65G90R160



TOWER PARTS INCLUDED	65TGH	6520G	APL4HA	GA65GD	FDNS		
					BASE	ANCHOR	
	1	8	1	3	CB3G	AB3	
GUYS & CONNECTIONS INCLUDED	142265	3/16EHS	BG2142	BG2146	5/16THH	7/16THH	5/8TBE&J
	675'	1025'	12	6	12	6	9
ANCHORS & GROUNDING INCLUDED	GAC5655TOP	AGK1GGX	BGK2GGX	CPC1/1.25	TBSAFETY	15/16x16PP	
	3	1	3	3	3	1	

170' ROHN 65G
All parts shown in table are included when ordering Part No: 65G90R170



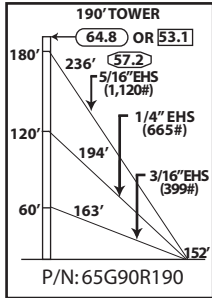
TOWER PARTS INCLUDED	65G	65TGH	6520G	APL4HA	GA65GD	FDNS	
						BASE	ANCHOR
	1	1	8	1	3	CB3G	AB3
GUYS & CONNECTIONS INCLUDED	142265	1/4EHS	3/16EHS	BG2142	BG2144		
	725'	600'	500'	6	6		
	BG2146	5/8TBE&J	7/16THH	3/8THH	5/16THH		
	6	9	6	6	6		
ANCHORS & GROUNDING INCLUDED	GAC5655TOP	AGK1GGX	BGK2GGX	CPC1/1.25	TBSAFETY	15/16x16PP	
	3	1	3	3	3	1	

180' ROHN 65G
All parts shown in table are included when ordering Part No: 65G90R180



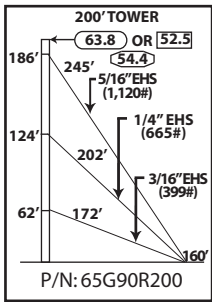
STANDARD DESIGN - 65G

90MPH REV. G, 70MPH REV. F



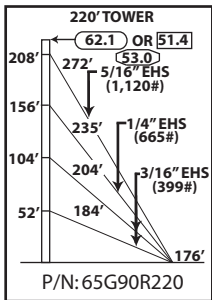
TOWER PARTS INCLUDED	65TGH	6520G	APL4HA	GA65GD	BASE	INNER ANCHOR
		1	9	1	3	CB3G
GUYS & CONNECTIONS INCLUDED	142265	1/4EHS	3/16EHS	BG2142	BG2144	
	750'	625'	525'	6	6	
	BG2146	5/8TBE&J	7/16THH	3/8THH	5/16THH	
	6	9	6	6	6	
ANCHORS & GROUNDING INCLUDED	GAC5655TOP	AGK1GGX	BGK2GGX	CPC1/1.25	TBSAFETY	15/16x16PP
	3	1	3	6	3	1

190' ROHN 65G
All parts shown in table are included when ordering Part No: 65G90R190



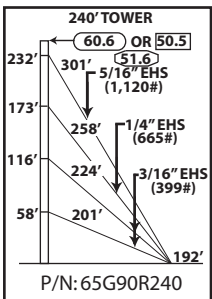
TOWER PARTS INCLUDED	65G	65TGH	6520G	APL4HA	GA65GD	FDNS	
						BASE	ANCHOR
	1	1	9	1	3	CB3G	AB3
GUYS & CONNECTIONS INCLUDED	142265	1/4EHS	3/16EHS	BG2142	BG2144		
	800'	650'	550'	6	6		
	BG2146	5/8TBE&J	7/16THH	3/8THH	5/16THH		
	6	9	6	6	6		
ANCHORS & GROUNDING INCLUDED	GAC5655TOP	AGK1GGX	BGK2GGX	CPC1/1.25	TBSAFETY	15/16x16PP	
	3	1	3	3	3	1	

200' ROHN 65G
All parts shown in table are included when ordering Part No: 65G90R200



TOWER PARTS INCLUDED	65G	65TGH	6520G	APL4HA	GA65GD	FDNS	
						BASE	ANCHOR
	1	1	10	1	4	CB3G	AB3
GUYS & CONNECTIONS INCLUDED	142265	1/4EHS	3/16EHS	BG2142	BG2144		
	875'	750'	1250'	12	6		
	BG2146	5/8TBE&J	7/16THH	3/8THH	5/16THH		
	6	12	6	6	12		
ANCHORS & GROUNDING INCLUDED	GAC5655TOP	AGK1GGX	BGK2GGX	CPC1/1.25	TBSAFETY	15/16x16PP	
	3	1	3	3	3	1	

220' ROHN 65G
All parts shown in table are included when ordering Part No: 65G90R220

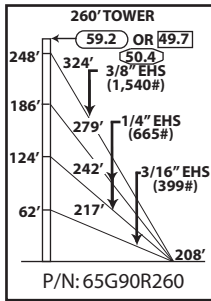


TOWER PARTS INCLUDED	65G	65TGH	6520G	APL4HA	GA65GD	FDNS	
						BASE	ANCHOR
	1	1	11	1	4	CB3G	AB3
GUYS & CONNECTIONS INCLUDED	142265	1/4EHS	3/16EHS	BG2142	BG2144		
	975'	825'	1375'	12	6		
	BG2146	5/8TBE&J	7/16THH	3/8THH	5/16THH		
	6	12	6	6	12		
ANCHORS & GROUNDING INCLUDED	GAC5655TOP	AGK1GGX	BGK2GGX	CPC1/1.25	TBSAFETY	15/16x16PP	
	3	1	3	3	3	1	

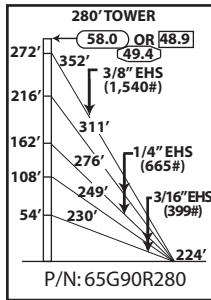
240' ROHN 65G
All parts shown in table are included when ordering Part No: 65G90R240



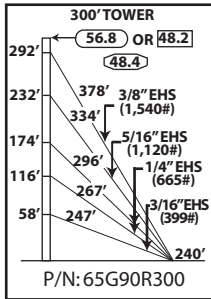
STANDARD DESIGN - 65G
90MPH REV. G, 70MPH REV. F



TOWER PARTS INCLUDED	65G	65TGH	6520G	APL4HA	GA65GD	FDNS	
						BASE	ANCHOR
	1	1	12	1	4	CB4G	AB4
GUYS & CONNECTIONS INCLUDED	142265	1/4EHS	3/16EHS	BG2142	BG2144	260' ROHN 65G All parts shown in table are included when ordering Part No: 65G90R260	
	1050'	1675'	700'	6	12		
	BG2147	5/8TBE&J	1/2THH	3/8THH	5/16THH		
ANCHORS & GROUNDING INCLUDED	GAC5655TOP	AGK1GGX	BGK2GGX	CPC1/1.25	TBSAFETY	15/16x16PP	
	3	1	3	3	3	1	



TOWER PARTS INCLUDED	65G	65TGH	6520G	APL4HA	GA65GD	FDNS	
						BASE	ANCHOR
	1	1	13	1	5	CB4G	AB4
GUYS & CONNECTIONS INCLUDED	142265	1/4EHS	3/16EHS	BG2142	BG2144	280' ROHN 65G All parts shown in table are included when ordering Part No: 65G90R280	
	1125'	1875'	1550'	12	12		
	BG2147	5/8TBE&J	1/2THH	3/8THH	5/16THH		
ANCHORS & GROUNDING INCLUDED	GAC5655TOP	AGK1GGX	BGK2GGX	CPC1/1.25	TBSAFETY	15/16x16PP	
	3	1	3	3	3	1	

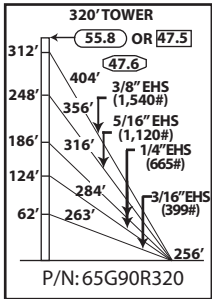


TOWER PARTS INCLUDED	65G	65TGH	6520G	APL4HA	GA65GD	FDNS	
						BASE	ANCHOR
	1	1	14	1	5	CB4G	AB4
GUYS & CONNECTIONS INCLUDED	142261	142265	1/4EHS	3/16EHS	BG2142	300' ROHN 65G All parts shown in table are included when ordering Part No: 65G90R300	
	1225'	1075'	1800'	800'	6		
	BG2144	BG2146	BG2147	5/8TBE&J	1/2THH		
	12	6	6	15	6		
	7/16THH	3/8THH	5/16THH	TBSAFETY			
ANCHORS & GROUNDING INCLUDED	GAC5655TOP	AGK1GGX	BGK2GGX	CPC1/1.25	15/16x16PP		
	3	1	3	3	1		



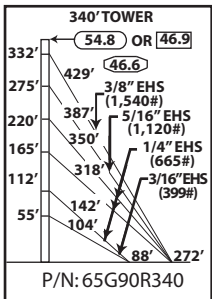
STANDARD DESIGN - 65G

90MPH REV.G, 70MPH REV. F



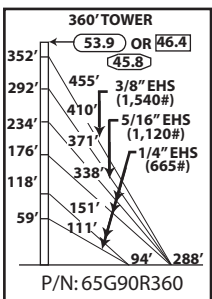
TOWER PARTS INCLUDED	65G	65TGH	6520G	APL4HA	GA65GD	FDNS	
						BASE	ANCHOR
	1	1	15	1	5	CB5G	AB4
GUYS & CONNECTIONS INCLUDED	142261	142265	1/4EHS	3/16EHS	BG2142		
	1300'	1150'	1925'	850'	6		
	BG2144	BG2146	BG2147	5/8TBE&J	1/2THH		
	12	6	6	15	6		
	7/16THH	3/8THH	5/16THH	TBSAFETY			
	6	12	6	3			
ANCHORS & GROUNDING INCLUDED	GAC5655TOP	AGK1GGX	BGK2GGX	CPC1/1.25	15/16x16PP		
	3	1	3	3	1		

320' ROHN 65G
All parts shown in table are included when ordering
Part No: 65G90R320



TOWER PARTS INCLUDED	65G	65TGH	6520G	APL4HA	GA65GD	BASE	INNER ANCHOR	OUTER ANCHOR
GUYS & CONNECTIONS INCLUDED	142261	142265	1/4EHS	3/16EHS	BG2142			
	1375'	1250'	2600'	350'	6			
	BG2144	BG2146	BG2147	5/8TBE&J	1/2TBE&J			
	18	6	6	12	6			
	1/2THH	7/16THH	3/8THH	5/16THH				
	6	6	18	6				
ANCHORS & GROUNDING INCLUDED	GAC5655TOP	GAC3455TOP	AGK1GGX	BGK2GGX				
	3	3	2	3				
	CPC.5/.75	CPC1/1.25	TBSAFETY	15/16x16PP				
	3	3	6	1				

340' ROHN 65G
All parts shown in table are included when ordering
Part No: 65G90R340



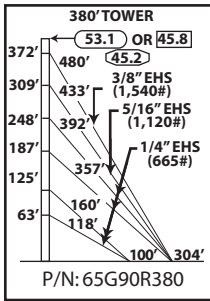
TOWER PARTS INCLUDED	65G	65TGH	6520G	APL4HA	GA65GD	BASE	INNER ANCHOR	OUTER ANCHOR
GUYS & CONNECTIONS INCLUDED	142261	142265	1/4EHS	5/8TBE&J	1/2TBE&J	3/8THH		
	1450'	1325'	3100'	12	6	24		
	BG2144	BG2146	BG2147	1/2THH	7/16THH			
	24	6	6	6	6			
ANCHORS & GROUNDING INCLUDED	GAC5655TOP	GAC3455TOP	AGK1GGX	BGK2GGX	CPC.5/.75			
	3	3	2	3	3			
	CPC1/1.25	APL1258UM	TBSAFETY	15/16x16PP				
	3	2	6	1				

360' ROHN 65G
All parts shown in table are included when ordering
Part No: 65G90R360



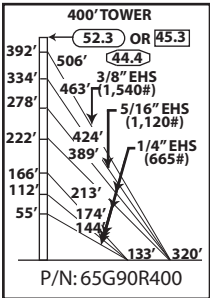
STANDARD DESIGN - 65G

90MPH REV. G, 70MPH REV. F



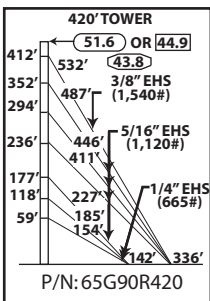
TOWER PARTS INCLUDED	65G	65TGH	6520G	APL4HA	GA65GD	BASE	INNER ANCHOR	OUTER ANCHOR
		1	1	18	1	6	CB6G	AB2
GUYS & CONNECTIONS INCLUDED	142261	142265	1/4EHS	5/8TBE&J	1/2TBE&J	3/8THH		
	1550'	1400'	3300'	12	6	24		
	BG2144	BG2146	BG2147	1/2THH	7/16THH			
	24	6	6	6	6			
ANCHORS & GROUNDING INCLUDED	GAC5655TOP	GAC3455TOP	AGK1GGX	BGK2GGX	CPC.5/7.5			
	3	3	2	3	3			
	CPC1/1.25	APL1258UM	TBSAFETY	15/16x16PP				
	3	2	6	1				

380' ROHN 65G
All parts shown in table are included when ordering
Part No: 65G90R380



TOWER PARTS INCLUDED	65G	65TGH	6520G	APL4HA	GA65GD	BASE	INNER ANCHOR	OUTER ANCHOR
		1	1	19	1	7	CB6G	AB2
GUYS & CONNECTIONS INCLUDED	142261	142265	1/4EHS	5/8TBE&J	1/2TBE&J	3/8THH		
	1625'	1475'	4300'	12	9	30		
	BG2144	BG2146	BG2147	1/2THH	7/16THH			
	30	6	6	6	6			
ANCHORS & GROUNDING INCLUDED	GAC5655TOP	GAC3455TOP	AGK1GGX	BGK2GGX	CPC.5/7.5			
	3	3	2	3	3			
	CPC1/1.25	APL1258UM	TBSAFETY	15/16x16PP				
	3	2	6	1				

400' ROHN 65G
All parts shown in table are included when ordering
Part No: 65G90R400



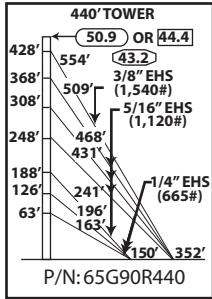
TOWER PARTS INCLUDED	65G	65TGH	6520G	APL4HA	GA65GD	BASE	INNER ANCHOR	OUTER ANCHOR
		1	1	20	1	7	CB6G	AB3
GUYS & CONNECTIONS INCLUDED	142261	142265	1/4EHS	5/8TBE&J	3/8THH			
	1700'	5025'	1100'	21	12			
	BG2144	BG2146	BG2147	1/2THH	7/16THH			
	12	24	6	6	24			
ANCHORS & GROUNDING INCLUDED	GAC5655TOP	APL1258UM	AGK1GGX	BGK2GGX	CPC1/1.25			
	6	2	2	3	6			
	TBSAFETY	15/16x16PP						
	6	1						

420' ROHN 65G
All parts shown in table are included when ordering
Part No: 65G90R420



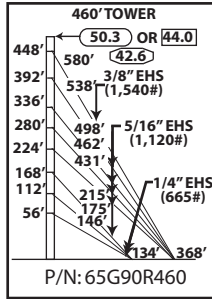
STANDARD DESIGN - 65G

90 MPH REV. G, 70MPH REV. F



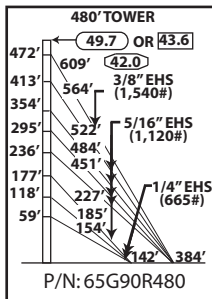
TOWER PARTS INCLUDED	65G	65TGH	6520G	APL4HA	GA65GD	BASE	INNER ANCHOR	OUTER ANCHOR
		1	1	21	1	7	CB7G	AB3
GUYS & CONNECTIONS INCLUDED	142261	142265	1/4EHS	5/8TBE&J	3/8THH			
	1775'	5275'	1150'	21	12			
	BG2144	BG2146	BG2147	1/2THH	7/16THH			
	12	24	6	6	24			
ANCHORS & GROUNDING INCLUDED	GAC5655TOP	APL1258UM	AGK1GGX	BGK2GGX	CPC1/1.25			
	6	2	2	3	6			
	TBSAFETY	15/16x16PP						
	6	1						

440' ROHN 65G
All parts shown in table are included when ordering
Part No: 65G90R440



TOWER PARTS INCLUDED	65G	65TGH	6520G	APL4HA	GA65GD	BASE	INNER ANCHOR	OUTER ANCHOR
		1	1	22	1	8	CB7G	AB3
GUYS & CONNECTIONS INCLUDED	142261	142265	1/4EHS	3/4TBE&J	5/8TBE&J	3/8THH		
	1850'	6850'	1025'	15	9	12		
	BG2144	BG2146	BG2147	1/2THH	7/16THH			
	12	30	6	6	30			
ANCHORS & GROUNDING INCLUDED	GAC5655TOP	GAC5755TOP	AGK1GGX	BGK2GGX	CPC1/1.25			
	3	3	2	3	3			
	CPC1.5/2	APL1258UM	TBSAFETY	15/16x16PP				
	3	2	6	1				

460' ROHN 65G
All parts shown in table are included when ordering
Part No: 65G90R460

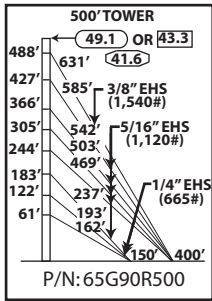


TOWER PARTS INCLUDED	65G	65TGH	6520G	APL4HA	GA65GD	BASE	INNER ANCHOR	OUTER ANCHOR
		1	1	23	1	8	CB7G	AB3
GUYS & CONNECTIONS INCLUDED	142261	142265	1/4EHS	3/4TBE&J	5/8TBE&J	3/8THH		
	1950'	7175'	1100'	15	9	12		
	BG2144	BG2146	BG2147	1/2THH	7/16THH			
	12	30	6	6	30			
ANCHORS & GROUNDING INCLUDED	GAC5655TOP	GAC5755TOP	AGK1GGX	BGK2GGX	CPC1/1.25			
	3	3	2	3	3			
	CPC1.5/2	APL1258UM	TBSAFETY	15/16x16PP				
	3	2	6	1				

480' ROHN 65G
All parts shown in table are included when ordering
Part No: 65G90R480



STANDARD DESIGN - 65G
90MPH REV. G, 70MPH REV. F



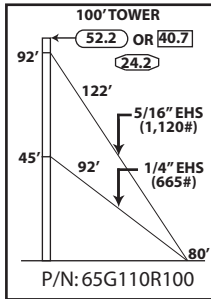
TOWER PARTS INCLUDED	65G	65TGH	6520G	APL4HA	GA65GD	BASE	INNER ANCHOR	OUTER ANCHOR
		1	1	24	1	8	CB7G	AB3
GUYS & CONNECTIONS INCLUDED	142261	142265	1/4EHS	3/4TBE&J	5/8TBE&J	3/8THH		
	2025'	7450'	1150'	15	9	12		
	BG2144	BG2146	BG2147	1/2THH	7/16THH			
	12	30	6	6	30			
ANCHORS & GROUNDING INCLUDED	GAC5655TOP	GAC5755TOP	AGK1GGX	BGK2GGX	CPC1/1.25			
	3	3	2	3	3			
	CPC1.5/2	APL1258UM	TBSAFETY	15/16x16PP				
	3	2	6	1				

500' ROHN 65G
All parts shown in table are included when ordering
Part No: 65G90R500



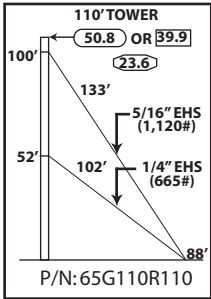
STANDARD DESIGN - 65G

110 MPH REV. G, 90MPH REV. F



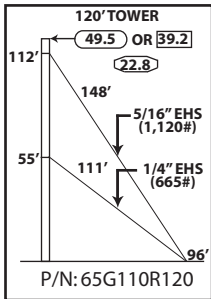
TOWER PARTS INCLUDED	65G	65TGH	6520G	APL4HA	GA65GD	FDNS		
						BASE	ANCHOR	
	1	1	4	1	2	CB2G	AB2	
GUYS & CONNECTIONS INCLUDED	142265	1/4EHS	BG2144	BG2146	7/16THH	3/8THH	5/8TBE&J	1/2TBE&J
	400'	300'	6	6	6	6	3	3
ANCHORS & GROUNDING INCLUDED	GAC3455TOP	AGK1GGX	BGK2GGX	CPC.5/.75	TBSAFETY	15/16x16PP		
	3	1	3	3	3	1		

100' ROHN 65G
All parts shown in table are included when ordering
Part No: 65G110R100



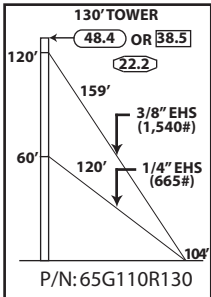
TOWER PARTS INCLUDED	65TGH	6520G	APL4HA	GA65GD	FDNS			
					BASE	ANCHOR		
	1	5	1	2	CB2G	AB2		
GUYS & CONNECTIONS INCLUDED	142265	1/4EHS	BG2144	BG2146	7/16THH	3/8THH	5/8TBE&J	1/2TBE&J
	425'	325'	6	6	6	6	3	3
ANCHORS & GROUNDING INCLUDED	GAC3455TOP	AGK1GGX	BGK2GGX	CPC.5/.75	TBSAFETY	15/16x16PP		
	3	1	3	3	3	1		

110' ROHN 65G
All parts shown in table are included when ordering
Part No: 65G110R110



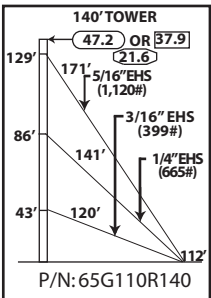
TOWER PARTS INCLUDED	65G	65TGH	6520G	APL4HA	GA65GD	FDNS	
						BASE	ANCHOR
	1	1	5	1	2	CB2G	AB3
GUYS & CONNECTIONS INCLUDED	142265	1/4EHS	BG2144	BG2146	7/16THH	3/8THH	5/8TBE&J
	475'	375'	6	6	6	6	6
ANCHORS & GROUNDING INCLUDED	GAC3655TOP	AGK1GGX	BGK2GGX	CPC1/1.25	TBSAFETY	15/16x16PP	
	3	1	3	3	3	1	

120' ROHN 65G
All parts shown in table are included when ordering
Part No: 65G110R120



TOWER PARTS INCLUDED	65TGH	6520G	APL4HA	GA65GD	FDNS		
					BASE	ANCHOR	
	1	6	1	2	CB2G	AB3	
GUYS & CONNECTIONS INCLUDED	142261	1/4EHS	BG2147	BG2144	1/2THH	3/8THH	5/8TBE&J
	525'	400'	6	6	6	6	6
ANCHORS & GROUNDING INCLUDED	GAC3655TOP	AGK1GGX	BGK2GGX	CPC1/1.25	TBSAFETY	15/16x16PP	
	3	1	3	3	3	1	

130' ROHN 65G
All parts shown in table are included when ordering
Part No: 65G110R130

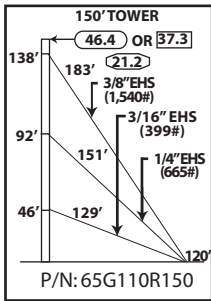


TOWER PARTS INCLUDED	65G	65TGH	6520G	APL4HA	GA65GD	FDNS	
						BASE	ANCHOR
	1	1	6	1	3	CB3G	AB3
GUYS & CONNECTIONS INCLUDED	142265	1/4EHS	3/16EHS	BG2142	BG2144		
	550'	450'	400'	6	6		
	BG2146	5/8TBE&J	7/16THH	3/8THH	5/16THH		
	6	9	6	6	6		
ANCHORS & GROUNDING INCLUDED	GAC3655TOP	AGK1GGX	BGK2GGX	CPC1/1.25	TBSAFETY	15/16x16PP	
	3	1	3	3	3	1	

140' ROHN 65G
All parts shown in table are included when ordering
Part No: 65G110R140

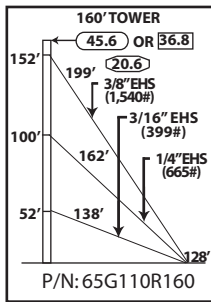


STANDARD DESIGN - 65G
110MPH REV. G, 90MPH REV. F



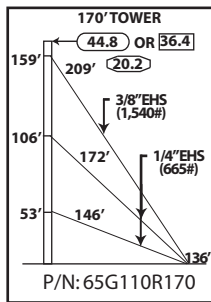
TOWER PARTS INCLUDED	65TGH	6520G	APL4HA	GA65GD	FDNS	
					BASE	ANCHOR
	1	7	1	3	CB3G	AB3
GUYS & CONNECTIONS INCLUDED	142261	1/4EHS	3/16EHS	BG2142	BG2144	
	600'	500'	425'	6	6	
	BG2147	5/8TBE&J	1/2THH	3/8THH	5/16THH	
	6	9	6	6	6	
ANCHORS & GROUNDING INCLUDED	GAC5655TOP	AGK1GGX	BGK2GGX	CPC1/1.25	TBSAFETY	15/16x16PP
	3	1	3	6	3	1

150' ROHN 65G
All parts shown in table are included when ordering
Part No: 65G110R150



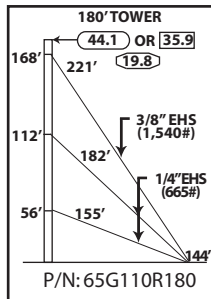
TOWER PARTS INCLUDED	65G	65TGH	6520G	APL4HA	GA65GD	FDNS	
						BASE	ANCHOR
	1	1	7	1	3	CB3G	AB3
GUYS & CONNECTIONS INCLUDED	142261	1/4EHS	3/16EHS	BG2142	BG2144		
	650'	525'	450'	6	6		
	BG2147	5/8TBE&J	1/2THH	3/8THH	5/16THH		
	6	9	6	6	6		
ANCHORS & GROUNDING INCLUDED	GAC5655TOP	AGK1GGX	BGK2GGX	CPC1/1.25	TBSAFETY	15/16x16PP	
	3	1	3	3	3	1	

160' ROHN 65G
All parts shown in table are included when ordering
Part No: 65G110R160



TOWER PARTS INCLUDED	65TGH	6520G	APL4HA	GA65GD	FDNS		
					BASE	ANCHOR	
	1	8	1	3	CB3G	AB3	
GUYS & CONNECTIONS INCLUDED	142261	1/4EHS	BG2144	BG2147	1/2THH	3/8THH	5/8TBE&J
	675'	1025'	12	6	6	12	9
ANCHORS & GROUNDING INCLUDED	GAC5655TOP	AGK1GGX	BGK2GGX	CPC1/1.25	TBSAFETY	15/16x16PP	
	3	1	3	3	3	1	

170' ROHN 65G
All parts shown in table are included when ordering
Part No: 65G110R170



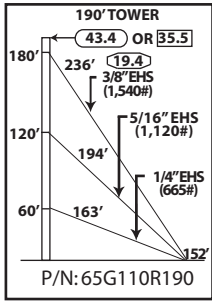
TOWER PARTS INCLUDED	65G	65TGH	6520G	APL4HA	GA65GD	FDNS	
						BASE	ANCHOR
	1	1	8	1	3	CB3G	AB3
GUYS & CONNECTIONS INCLUDED	142261	1/4EHS	BG2144	BG2147	1/2THH	3/8THH	5/8TBE&J
	725'	1075'	12	6	6	12	9
ANCHORS & GROUNDING INCLUDED	GAC5655TOP	AGK1GGX	BGK2GGX	CPC1/1.25	TBSAFETY	15/16x16PP	
	3	1	3	3	3	1	

180' ROHN 65G
All parts shown in table are included when ordering
Part No: 65G110R180



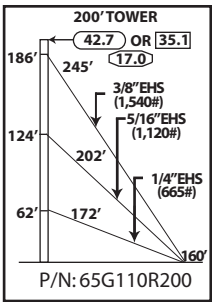
STANDARD DESIGN - 65G

110MPH REV. G, 90MPH REV. F



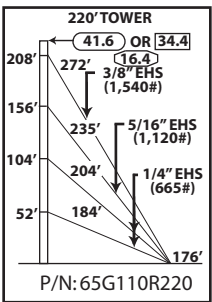
TOWER PARTS INCLUDED	65TGH	6520G	APL4HA	GA65GD	FDNS	
					BASE	ANCHOR
	1	9	1	3	CB4G	AB4
GUYS & CONNECTIONS INCLUDED	142261	142265	1/4EHS	BG2144	BG2146	
	750'	625'	525'	6	6	
	BG2147	5/8TBE&J	1/2THH	7/16THH	3/8THH	
	6	9	6	6	6	
ANCHORS & GROUNDING INCLUDED	GAC5655TOP	AGK1GGX	BGK2GGX	CPC1/1.25	TBSAFETY	15/16x16PP
	3	1	3	6	3	1

190' ROHN 65G
All parts shown in table are included when ordering
Part No: 65G110R190



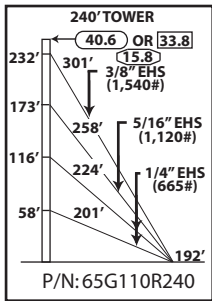
TOWER PARTS INCLUDED	65G	65TGH	6520G	APL4HA	GA65GD	FDNS	
						BASE	ANCHOR
	1	1	9	1	3	CB4G	AB4
GUYS & CONNECTIONS INCLUDED	142261	142265	1/4EHS	BG2144	BG2146		
	800'	650'	550'	6	6		
	BG2147	5/8TBE&J	1/2THH	7/16THH	3/8THH		
	6	9	6	6	6		
ANCHORS & GROUNDING INCLUDED	GAC5655TOP	AGK1GGX	BGK2GGX	CPC1/1.25	TBSAFETY	15/16x16PP	
	3	1	3	3	3	1	

200' ROHN 65G
All parts shown in table are included when ordering
Part No: 65G110R200



TOWER PARTS INCLUDED	65G	65TGH	6520G	APL4HA	GA65GD	FDNS	
						BASE	ANCHOR
	1	1	10	1	4	CB4G	AB4
GUYS & CONNECTIONS INCLUDED	142261	142265	1/4EHS	BG2144	BG2146		
	875'	750'	1250'	12	6		
	BG2147	5/8TBE&J	1/2THH	7/16THH	3/8THH		
	6	12	6	6	12		
ANCHORS & GROUNDING INCLUDED	GAC5655TOP	AGK1GGX	BGK2GGX	CPC1/1.25	TBSAFETY	15/16x16PP	
	3	1	3	3	3	1	

220' ROHN 65G
All parts shown in table are included when ordering
Part No: 65G110R220

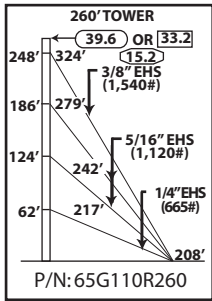


TOWER PARTS INCLUDED	65G	65TGH	6520G	APL4HA	GA65GD	FDNS	
						BASE	ANCHOR
	1	1	11	1	4	CB4G	AB4
GUYS & CONNECTIONS INCLUDED	142261	142265	1/4EHS	BG2144	BG2146		
	975'	825'	1375'	12	6		
	BG2147	5/8TBE&J	1/2THH	7/16THH	3/8THH		
	6	12	6	6	12		
ANCHORS & GROUNDING INCLUDED	GAC5655TOP	AGK1GGX	BGK2GGX	CPC1/1.25	TBSAFETY	15/16x16PP	
	3	1	3	3	3	1	

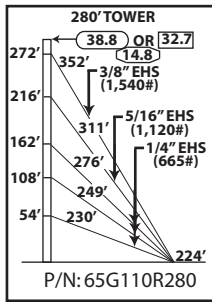
240' ROHN 65G
All parts shown in table are included when ordering
Part No: 65G110R240



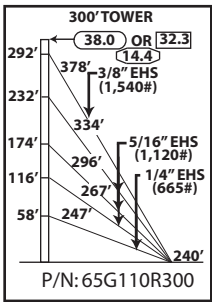
STANDARD DESIGN - 65G
110MPH REV. G, 90MPH REV. F



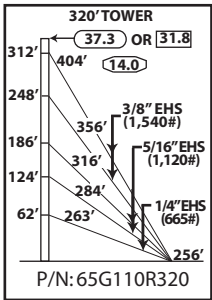
TOWER PARTS INCLUDED	65G	65TGH	6520G	APL4HA	GA65GD	FDNS	
						BASE	ANCHOR
	1	1	12	1	4	CB5G	AB5
GUYS & CONNECTIONS INCLUDED	142261	142265	1/4EHS	BG2144	1/2THH	260' ROHN 65G All parts shown in table are included when ordering Part No: 65G110R260	
	1050'	1675'	700'	6	6		
	7/16THH	3/4TBE&J	3/8THH	BG2146	BG2147		
	12	12	6	12	6		
ANCHORS & GROUNDING INCLUDED	GAC5755TOP	AGK1GGX	BGK2GGX	CPC1.5/2	TBSAFETY	15/16x16PP	
	3	1	3	3	3	1	



TOWER PARTS INCLUDED	65G	65TGH	6520G	APL4HA	GA65GD	FDNS	
						BASE	ANCHOR
	1	1	13	1	5	CB5G	AB5
GUYS & CONNECTIONS INCLUDED	142261	142265	1/4EHS	BG2144	BG2146	280' ROHN 65G All parts shown in table are included when ordering Part No: 65G110R280	
	1125'	1000'	2450'	18	6		
	BG2147	7/16THH	3/4TBE&J	3/8THH	1/2THH		
	6	6	15	18	6		
ANCHORS & GROUNDING INCLUDED	GAC5755TOP	AGK1GGX	BGK2GGX	CPC1.5/2	TBSAFETY	15/16x16PP	
	3	1	3	6	3	1	



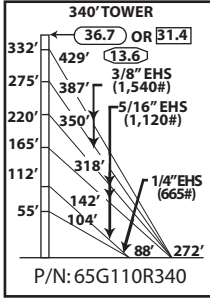
TOWER PARTS INCLUDED	65G	65TGH	6520G	APL4HA	GA65GD	FDNS	
						BASE	ANCHOR
	1	1	14	1	5	CB5G	AB5
GUYS & CONNECTIONS INCLUDED	142261	142265	1/4EHS	BG2144	BG2146	300' ROHN 65G All parts shown in table are included when ordering Part No: 65G110R300	
	1225'	2875'	800'	6	18		
	BG2147	3/4TBE&J	1/2THH	7/16THH	3/8THH		
	6	15	6	18	6		
ANCHORS & GROUNDING INCLUDED	GAC5755TOP	AGK1GGX	BGK2GGX	CPC1.5/2	TBSAFETY	15/16x16PP	
	3	1	3	3	3	1	



TOWER PARTS INCLUDED	65G	65TGH	6520G	APL4HA	GA65GD	FDNS	
						BASE	ANCHOR
	1	1	15	1	5	CB6G	AB6
GUYS & CONNECTIONS INCLUDED	142261	142265	1/4EHS	BG2144	BG2146	320' ROHN 65G All parts shown in table are included when ordering Part No: 65G110R320	
	2425'	1925'	850'	6	12		
	BG2147	3/4TBE&J	1/2THH	7/16THH	3/8THH		
	12	15	12	12	6		
ANCHORS & GROUNDING INCLUDED	GAC5755TOP	AGK1GGX	BGK2GGX	CPC1.5/2	TBSAFETY	15/16x16PP	
	3	1	3	3	3	1	



STANDARD DESIGN - 65G
110 MPH REV. G, 90MPH REV. F



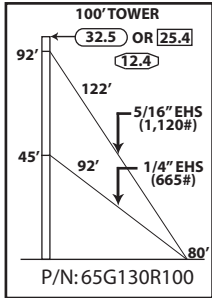
TOWER PARTS INCLUDED	65G	65TGH	6520G	APL4HA	GA65GD	BASE	INNER ANCHOR	OUTER ANCHOR
		1	1	16	1	6	CB7G	AB3
GUYS & CONNECTIONS INCLUDED	142261	142265	1/4EHS	BG2144	BG2146	BG2147		
	2600'	2600'	350'	6	18	12		
	3/4TBE&J	5/8TBE&J	1/2THH	7/16THH	3/8THH			
	12	6	12	18	6			
ANCHORS & GROUNDING INCLUDED	GAC5655TOP	GAC5755TOP	AGK1GGX	BGK2GGX				
	3	3	2	3				
	CPC1/1.25	CPC1.5/2	TBSAFETY	15/16x16PP				
	3	3	6	1				

340' ROHN 65G
All parts shown in table are included when ordering
Part No: 65G110R340



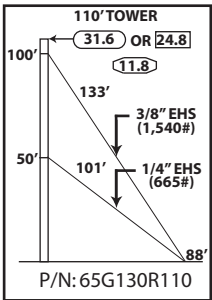
STANDARD DESIGN - 65G

130 MPH REV. G, 110MPH REV. F



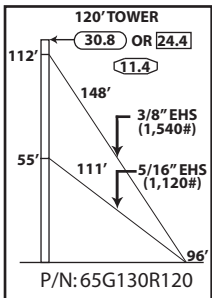
TOWER PARTS INCLUDED	65G	65GTH	6520G	GA65GD	APL4HA	FDNS	
	1	1	4	2	1	BASE	ANCHOR
GUYS & CONNECTIONS INCLUDED	142265	1/4EHS	BG2146	BG2144	5/8TBE&J	3/8THH	7/16THH
ANCHORS & GROUNDING INCLUDED	GAC5655TOP	AGK1GGX	BGK2GGX	CPC1/1.25	TBSAFETY	15/16x16PP	
	3	1	3	3	3	1	

100' ROHN 65G
All parts shown in table are included when ordering
Part No: 65G130R100



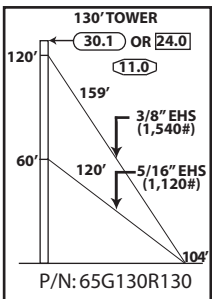
TOWER PARTS INCLUDED	65TGH	6520G	APL4HA	GA65GD	FDNS		
	1	5	1	2	BASE	ANCHOR	
GUYS & CONNECTIONS INCLUDED	142261	1/4EHS	BG2147	BG2144	1/2THH	3/8THH	5/8TBE&J
ANCHORS & GROUNDING INCLUDED	GAC5655TOP	AGK1GGX	BGK2GGX	CPC1/1.25	TBSAFETY	15/16x16PP	
	3	1	3	3	3	1	

110' ROHN 65G
All parts shown in table are included when ordering
Part No: 65G130R110



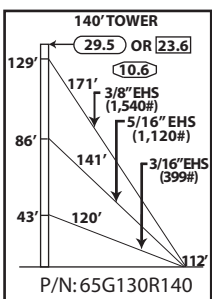
TOWER PARTS INCLUDED	65G	65TGH	6520G	APL4HA	GA65GD	FDNS	
	1	1	5	1	2	BASE	ANCHOR
GUYS & CONNECTIONS INCLUDED	142261	142265	BG2147	BG2146	7/16THH	1/2THH	5/8TBE&J
ANCHORS & GROUNDING INCLUDED	GAC5655TOP	AGK1GGX	BGK2GGX	CPC1/1.25	TBSAFETY	15/16x16PP	
	3	1	3	3	3	1	

120' ROHN 65G
All parts shown in table are included when ordering
Part No: 65G130R120



TOWER PARTS INCLUDED	65TGH	6520G	APL4HA	GA65GD	FDNS		
	1	6	1	2	BASE	ANCHOR	
GUYS & CONNECTIONS INCLUDED	142261	142265	BG2147	BG2146	7/16THH	1/2THH	5/8TBE&J
ANCHORS & GROUNDING INCLUDED	GAC5655TOP	AGK1GGX	BGK2GGX	CPC1/1.25	TBSAFETY	15/16x16PP	
	3	1	3	3	3	1	

130' ROHN 65G
All parts shown in table are included when ordering
Part No: 65G130R130

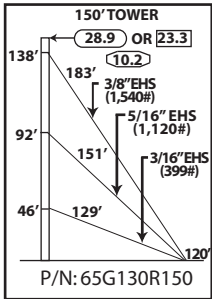


TOWER PARTS INCLUDED	65G	65TGH	6520G	APL4HA	GA65GD	FDNS	
	1	1	6	1	3	BASE	ANCHOR
GUYS & CONNECTIONS INCLUDED	142261	142265	3/16EHS	BG2147	BG2146		
	550'	450'	400'	6	6		
	BG2142	5/8TBE&J	1/2THH	7/16THH	5/16THH		
	6	9	6	6	6		
ANCHORS & GROUNDING INCLUDED	GAC5655TOP	AGK1GGX	BGK2GGX	CPC1/1.25	TBSAFETY	15/16x16PP	
	3	1	3	3	3	1	

140' ROHN 65G
All parts shown in table are included when ordering
Part No: 65G130R140

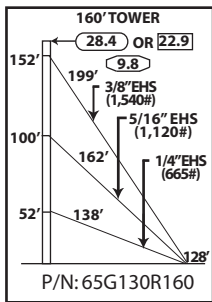


STANDARD DESIGN - 65G
130MPH REV. G, 110MPH REV. F



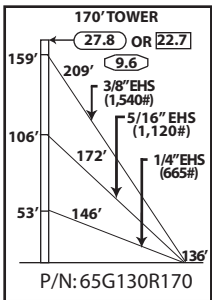
TOWER PARTS INCLUDED	65TGH	6520G	APL4HA	GA65GD	FDNS	
					BASE	ANCHOR
	1	7	1	3	CB3G	AB4
GUYS & CONNECTIONS INCLUDED	142261	142265	3/16EHS	BG2147	BG2146	
	600'	500'	425'	6	6	
	BG2142	5/8TBE&J	1/2THH	7/16THH	5/16THH	
	6	9	6	6	6	
ANCHORS & GROUNDING INCLUDED	GAC5655TOP	AGK1GGX	BGK2GGX	CPC1/1.25	TBSAFETY	15/16x16PP
	3	1	3	3	3	1

150' ROHN 65G
All parts shown in table are included when ordering
Part No: 65G130R150



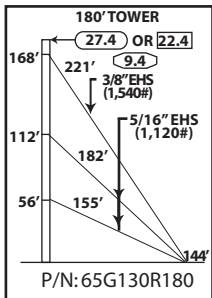
TOWER PARTS INCLUDED	65G	65TGH	6520G	APL4HA	GA65GD	FDNS	
						BASE	ANCHOR
	1	1	7	1	3	CB4G	AB4
GUYS & CONNECTIONS INCLUDED	142261	142265	1/4EHS	BG2147	BG2146		
	650'	525'	450'	6	6		
	BG2144	5/8TBE&J	1/2THH	7/16THH	3/8THH		
	6	9	6	6	6		
ANCHORS & GROUNDING INCLUDED	GAC5655TOP	AGK1GGX	BGK2GGX	CPC1/1.25	TBSAFETY	15/16x16PP	
	3	1	3	3	3	1	

160' ROHN 65G
All parts shown in table are included when ordering
Part No: 65G130R160



TOWER PARTS INCLUDED	65TGH	6520G	APL4HA	GA65GD	FDNS	
					BASE	ANCHOR
	1	8	1	3	CB4G	AB4
GUYS & CONNECTIONS INCLUDED	142261	142265	1/4EHS	BG2147	BG2146	
	675'	550'	475'	6	6	
	BG2144	5/8TBE&J	1/2THH	7/16THH	3/8THH	
	6	9	6	6	6	
ANCHORS & GROUNDING INCLUDED	GAC5655TOP	AGK1GGX	BGK2GGX	CPC1/1.25	TBSAFETY	15/16x16PP
	3	1	3	3	3	1

170' ROHN 65G
All parts shown in table are included when ordering
Part No: 65G130R170

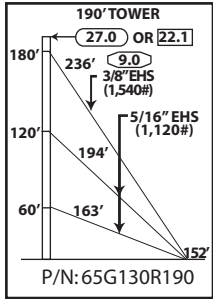


TOWER PARTS INCLUDED	65G	65TGH	6520G	APL4HA	GA65GD	FDNS	
						BASE	ANCHOR
	1	1	8	1	3	CB4G	AB4
GUYS & CONNECTIONS INCLUDED	142261	142265	BG2147	BG2146			
	725'	1075'	6	12			
	5/8TBE&J	1/2THH	7/16THH	TBSAFETY			
	9	6	12	3			
ANCHORS & GROUNDING INCLUDED	GAC5655TOP	AGK1GGX	BGK2GGX	CPC1/1.25	15/16x16PP		
	3	1	3	3	1		

180' ROHN 65G
All parts shown in table are included when ordering
Part No: 65G90R180



STANDARD DESIGN - 65G
 130 MPH REV. G, 110MPH REV. F

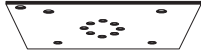
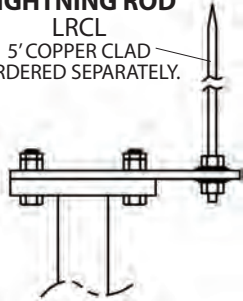
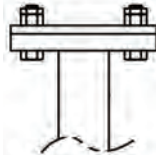


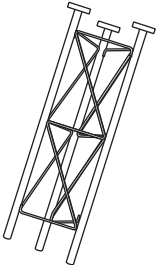
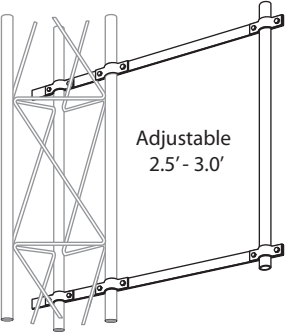
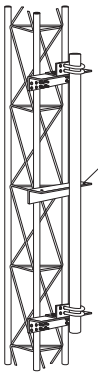
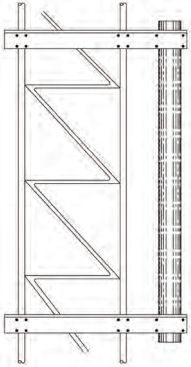
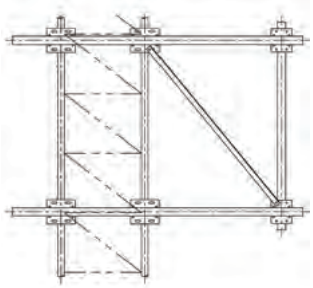
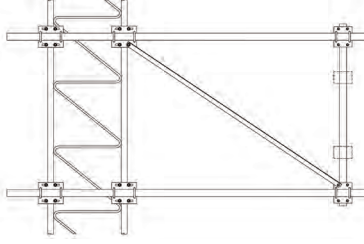
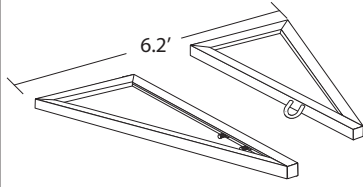


TOWER PARTS INCLUDED	65TGH		6520G		APL4HA		GA65GD		FDNS	
	BASE		ANCHOR							
	1		9		1		3		CB4G	AB4
GUYS & CONNECTIONS INCLUDED	142261	142265	BG2147	BG2146	7/16THH	1/2THH	5/8TB&J			
	750'	1150'	6	12	12	6	9			
ANCHORS & GROUNDING INCLUDED	GAC5655TOP		AGK1GGX	BGK2GGX	CPC1/1.25	TBSAFETY	15/16x16PP			
	3		1	3	3	3	1			

190' ROHN 65G
 All parts shown in table are included when ordering
 Part No: 65G130R190



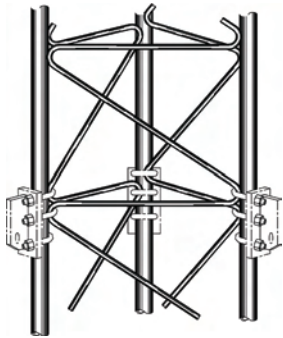
PARTS & ACCESSORIES

 <p>LEG MOUNTED BEACON PLATE KIT APL4HA</p> <p>FOR MOUNTING BEACON OR LIGHTNING ROD. BOLTS TO TOP OF STANDARD SECTION. INCLUDES BEACON PLATE, (2) CAP PLATES, NUTS AND BOLTS.</p>	<p>LIGHTNING ROD LRCL 5' COPPER CLAD ORDERED SEPARATELY.</p>  <p>LIGHTNING ROD PLATE KIT VW133</p> <p>INCLUDES: LIGHTNING ROD PLATE, (2) CAP PLATES, NUTS AND BOLTS.</p>	 <p>CAP PLATE KIT CP4A</p> <p>(3) CAP PLATES WITH NUTS AND BOLTS.</p>	 <p>10' TAPERED BASE 65TGH*</p> <p>FOR USE WITH 15/16X16PP, ORDERED SEPARATELY.</p>
 <p>PIER PIN 15/16X16PP</p> <p>FOR USE WITH 65TGH EMBEDDED IN CONCRETE. PIER PIN MUST BE ORDERED SEPARATELY, UNLESS BEING PURCHASED AS PART OF A COMPLETE TOWER KIT.</p>	 <p>5' SHORT BASE SB65GH</p> <p>FOR EMBEDMENT IN CONCRETE.</p>	 <p>Adjustable 2.5' - 3.0'</p> <p>SIDE ARM ASSEMBLY SA253UA</p> <p>MOUNTING TUBE PROVIDED IS 3' LONG, 2 1/4" O.D.</p>	 <p>Tie-Back Angle with 9/16" dia. holes, included with DM654TB.</p> <p>FACE DISH MOUNT DM654 4 1/2" O.D. X 5' LONG DM654TB 4 1/2" O.D. X 5' LONG WITH TIE-BACK ANGLE.</p>
 <p>DISH MOUNT KY509 - 2 3/8" O.D. MAST KY510 - 4 1/2" O.D. MAST</p> <p>MOUNTING TUBE PROVIDED IS 5' LONG.</p>	 <p>3' SIDE ARM KH6100A</p> <p>MOUNTING TUBE PROVIDED IS 7' LONG, 2 3/8" O.D.</p>	 <p>6' SIDE ARM KY1048A</p> <p>MOUNTING TUBE PROVIDED IS 5' LONG, 2 3/8" O.D.</p>	 <p>6.2'</p> <p>HOUSE BRACKET KH1014</p> <p>ADJUSTABLE TO POSITION 65G 18" - 30" FROM WALL.</p>

* TOWERS MOUNTED ON THESE BASES MUST BE BRACKETED OR GUYED AT ALL TIMES. TEMPORARY STEEL GUYING MAY ALSO BE NECESSARY DURING INSTALLATION AND DISMANTLING.



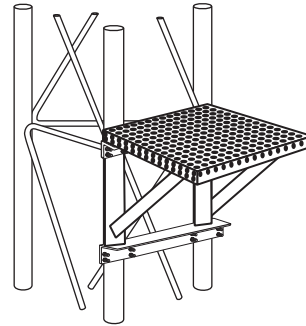
PARTS & ACCESSORIES



GUY BRACKET ASSEMBLY
GA65GD
KIT INCLUDES (3) BRACKETS WITH
U-BOLTS.



ANTI-CLIMB PANELS
VW915A
THREE ANTI-CLIMB PANELS BOLT
TO STANDARD TOWER SECTION.



WORK PLATFORM
WPCC65
SNAPS INTO PLACE AT ANY LEVEL.
NO BOLTS REQUIRED.



CLIMBING HARNESS
TTFBH-4D
JOURNEYMAN HARNESS
TTFBH-C/P
PROFESSIONAL HARNESS



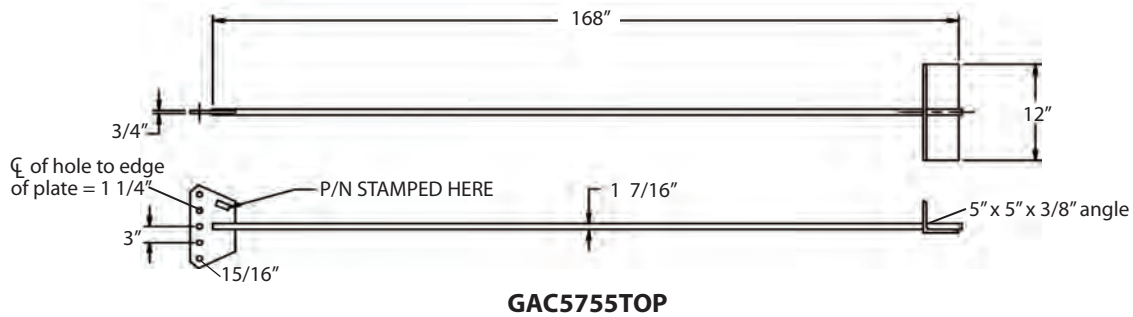
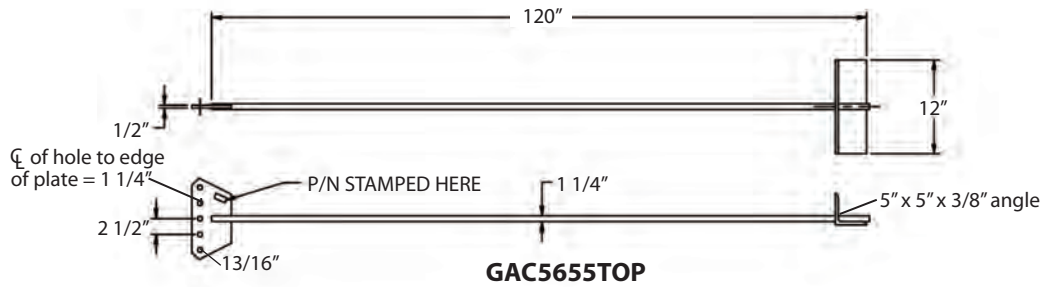
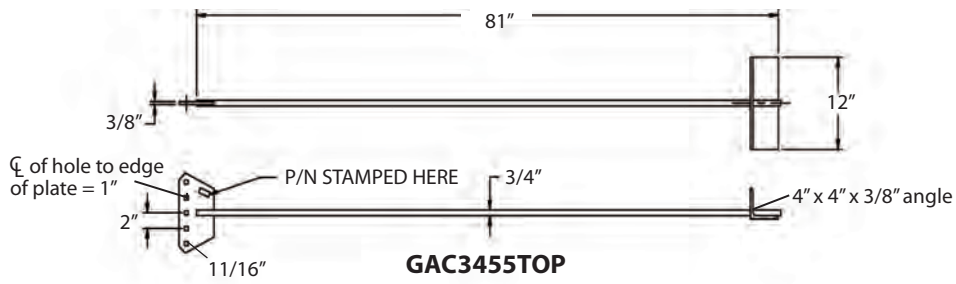
**SAFETY CABLE
SLIDER WITH CARABINEER**
TT-WG-500-W/SMC

**SAFETY CABLE SYSTEM
ORDERING INFORMATION**

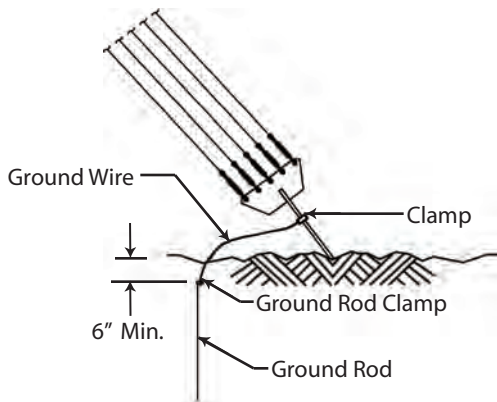
TOWER HEIGHT	PART NUMBER
50'	TT05065
100'	TT10065
150'	TT15065
200'	TT20065
250'	TT25065
300'	TT30065
350'	TT35065
400'	TT40065
450'	TT45065
500'	TT50065

SAFETY CABLE SLIDER AND
CLIMBING HARNESS MUST BE
ORDERED SEPARATELY.

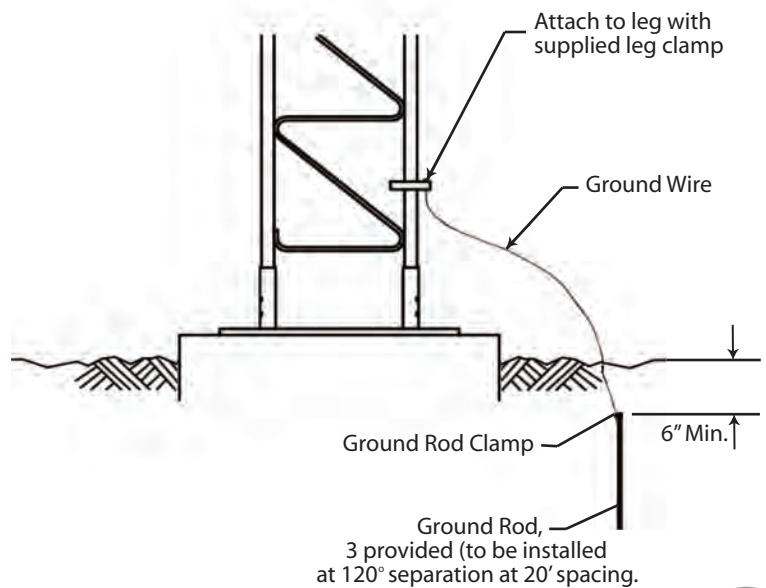
ANCHOR INFORMATION



REV G
ANCHOR GROUNDING
AGK1GGX

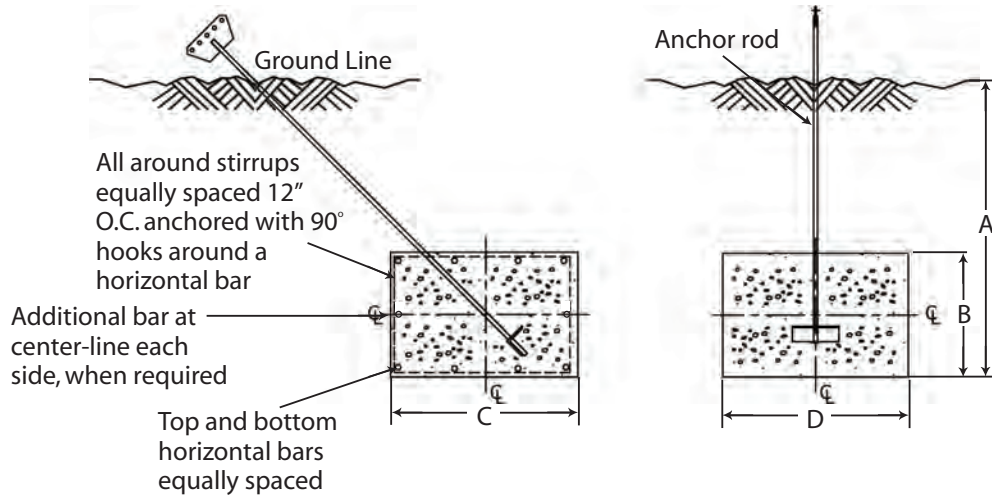


REV G
BASE GROUNDING
BGK2GGX





STANDARD ANCHOR BLOCKS

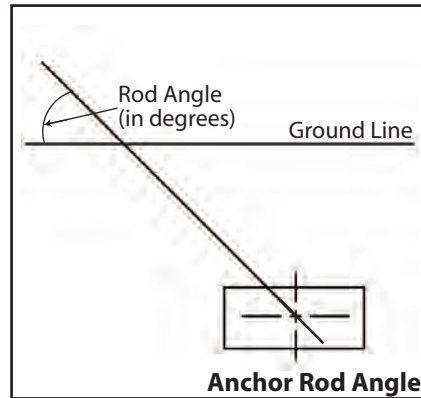
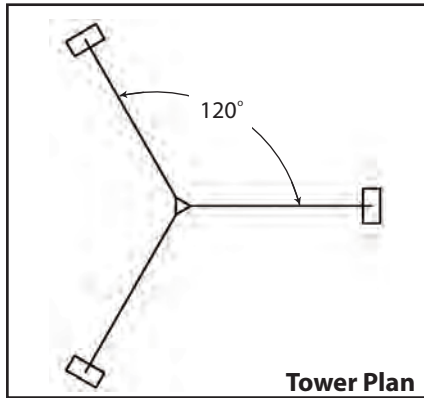


Refer to page 145 for anchor rod installation angles.

Block	Anchor Dimensions (in.)				Horizontal Bars (Qty. & Size)	Stirrup Size & Spacing	Concrete Vol. (Cu. Yds.)
	A	B	C	D			
AB2	4' - 0"	1' - 6"	4' - 0"	6' - 0"	(5) #6 Bars, Top Layer (5) #6 Bars, Bottom Layer (0) Additional Bar, Each Side	#3 @ 12" O.C.	1.33 Per Block 4.0 Total for 3
AB3	6' - 0"	1' - 6"	3' - 0"	6' - 0"	(4) #6 Bars, Top Layer (4) #6 Bars, Bottom Layer (0) Additional Bar, Each Side	#3 @ 12" O.C.	1.0 Per Block 3.0 Total for 3
AB4	6' - 0"	1' - 6"	4' - 0"	9' - 0"	(5) #6 Bars, Top Layer (5) #6 Bars, Bottom Layer (0) Additional Bar, Each Side	#4 @ 12" O.C.	2.0 Per Block 6.0 Total for 3
AB5	8' - 0"	2' - 0"	3' - 0"	10' - 0"	(4) #7 Bars, Top Layer (4) #7 Bars, Bottom Layer (1) Additional Bar, Each Side	#4 @ 12" O.C.	2.22 Per Block 6.7 Total for 3
AB6	8' - 0"	2' - 0"	4' - 0"	10' - 0"	(5) #7 Bars, Top Layer (5) #7 Bars, Bottom Layer (1) Additional Bar, Each Side	#4 @ 12" O.C.	2.96 Per Block 8.9 Total for 3



ANCHOR ROD INSTALLATION ANGLES



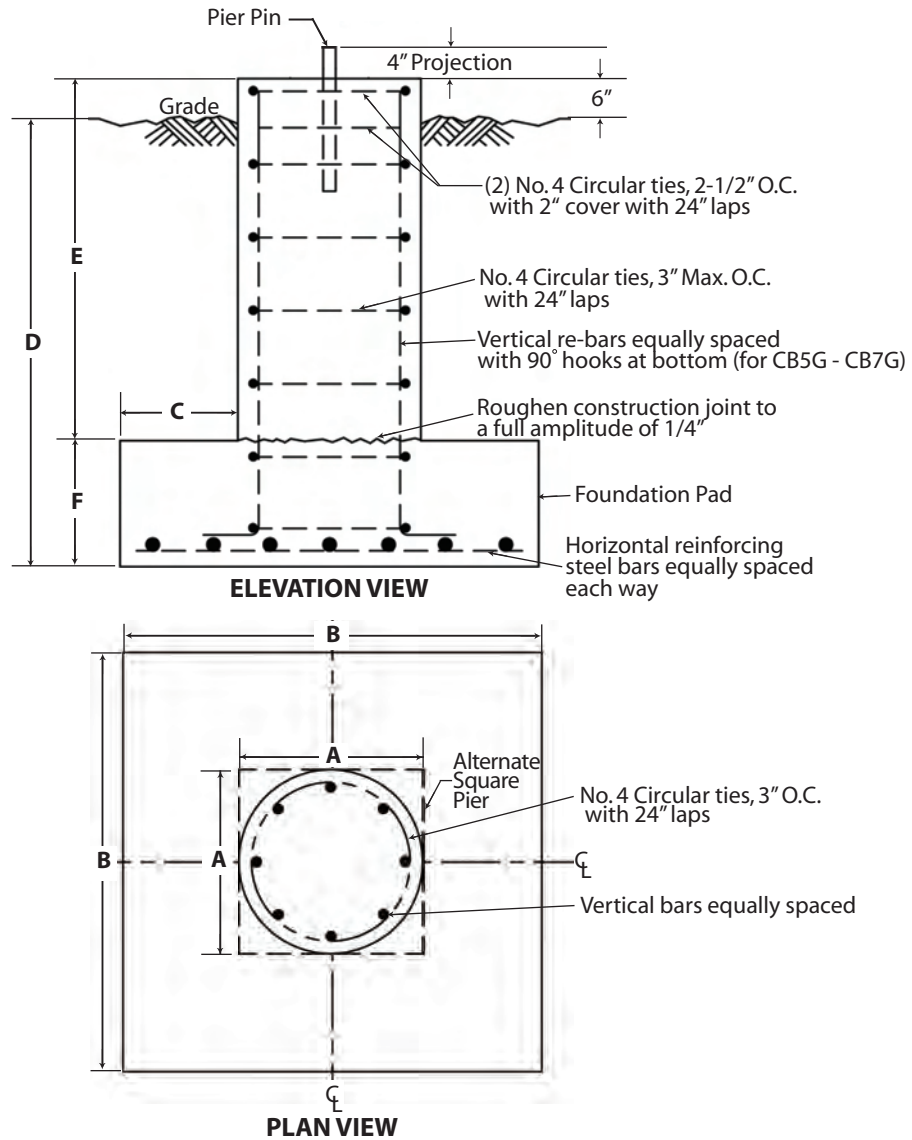
65G 90MPH				
Tower Height	Inner Rod Number	Inner Rod Angle	Outer Rod Number	Outer Rod Angle
100'	GAC3455TOP	44	-	-
110'	GAC3455TOP	44	-	-
120'	GAC3455TOP	44	-	-
130'	GAC3455TOP	44	-	-
140'	GAC3455TOP	42	-	-
150'	GAC3455TOP	42	-	-
160'	GAC5655TOP	42	-	-
170'	GAC5655TOP	41	-	-
180'	GAC5655TOP	41	-	-
190'	GAC5655TOP	41	-	-
200'	GAC5655TOP	41	-	-
220'	GAC5655TOP	40	-	-
240'	GAC5655TOP	39	-	-
260'	GAC5655TOP	39	-	-
280'	GAC5655TOP	38	-	-
300'	GAC5655TOP	38	-	-
320'	GAC5655TOP	38	-	-
340'	GAC3455TOP	43	GAC5655TOP	43
360'	GAC3455TOP	43	GAC5655TOP	43
380'	GAC3455TOP	43	GAC5655TOP	43
400'	GAC3455TOP	40	GAC5655TOP	44
420'	GAC5655TOP	40	GAC5655TOP	43
440'	GAC5655TOP	40	GAC5655TOP	43
460'	GAC5655TOP	40	GAC5755TOP	42
480'	GAC5655TOP	40	GAC5755TOP	42
500'	GAC5655TOP	39	GAC5755TOP	42

65G 110MPH				
Tower Height	Inner Rod Number	Inner Rod Angle	Outer Rod Number	Outer Rod Angle
100'	GAC3455TOP	44	-	-
110'	GAC3455TOP	43	-	-
120'	GAC5655TOP	42	-	-
130'	GAC5655TOP	42	-	-
140'	GAC5655TOP	41	-	-
150'	GAC5655TOP	41	-	-
160'	GAC5655TOP	41	-	-
170'	GAC5655TOP	40	-	-
180'	GAC5655TOP	40	-	-
190'	GAC5655TOP	40	-	-
200'	GAC5655TOP	39	-	-
220'	GAC5655TOP	39	-	-
240'	GAC5655TOP	38	-	-
260'	GAC5755TOP	38	-	-
280'	GAC5755TOP	37	-	-
300'	GAC5755TOP	37	-	-
320'	GAC5755TOP	37	-	-
340'	GAC5655TOP	43	GAC5755TOP	42

65G 130MPH		
Tower Height	Rod Number	Rod Angle
100'	GAC5655TOP	42
110'	GAC5655TOP	42
120'	GAC5655TOP	41
130'	GAC5655TOP	41
140'	GAC5655TOP	40
150'	GAC5655TOP	40
160'	GAC5655TOP	40
170'	GAC5655TOP	39
180'	GAC5655TOP	38
190'	GAC5655TOP	38



STANDARD BASE PIERS



Base	A	B	C	D	E	F	Concrete Vol. (Cu. Yds.) Round Pier	Vertical Bars (No. & Size)	Horiz. Bars in Pad (No. & Size)
CB2G	3'-0"	3'-0"	N/A	4'-0"	N/A	N/A	1.2	(10) #7	NONE
CB3G	3'-6"	3'-6"	N/A	4'-0"	N/A	N/A	1.6	(12) #7	NONE
CB4G	4'-0"	4'-0"	N/A	4'-0"	N/A	N/A	2.1	(12) #8	NONE
CB5G	2'-0"	4'-0"	1'-0"	4'-0"	3'-3"	1'-3"	1.1	(8) #6	(5) #5 (Total of 10)
CB6G	2'-0"	4'-6"	1'-3"	4'-0"	3'-3"	1'-3"	1.3	(8) #6	(6) #5 (Total of 12)
CB7G	2'-0"	5'-0"	1'-6"	4'-6"	3'-9"	1'-3"	1.6	(8) #6	(6) #5 (Total of 12)